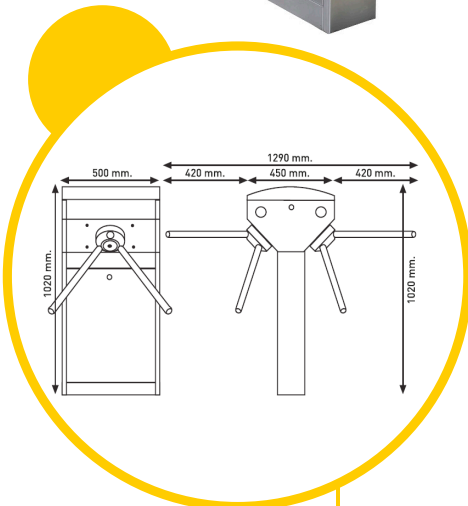
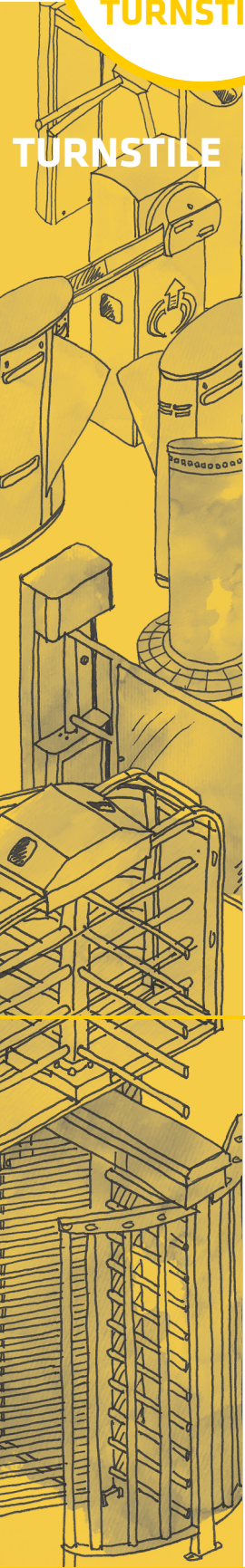




# T 450 Electromechanic Turnstile



## Specifications

- Control /Operation Voltage** : 24VDC +/-20
- Power Consumption** : 30W
- Tripod Locking** : With 24 V DC selenoids; lock when the selenoids are pulled.
- Tripod Position Dedection** : Direction of the tripod position with two microswitches.
- Motion Control** : When the cycle starts to one direction, the reverse is blocked and after a half turn the rest of the cycle is completed, automatically and smoothly by a hydraulic shock absorber.
- Installation** : Simple & easy installation
- Operation Temperature** : - 20° C - + 70° C
- Indicators** : LED on both sides
- Dimensions** : 450x500x1020 mm
- Weight** : 66 Kg
- Optional Accesories** : Drop-arm, remote control, button unit, card reader, biometric reader, coin unit.

**STRONG MECHANISM, INTENSE USAGE, TROUBLE-FREE LONG YEARS, VANDAL-PROOF, INDOOR & OUTDOOR CONDITIONS, RELIABLE**  
T-450 tripod turnstile provides the basic access control solution to secure various locations worldwide. The mechanism is manufactured to ensure long years of trouble free use, especially for locations with intense passage flows.

**Application:** T 450 can be installed in various locations like public transportation terminals, universities, banks, ministries, business centers, museums and amusement parks etc.

**Basic Materials:** T 450 is produced in AISI 304 stainless steel and is suitable for outdoor conditions. T 450 is double turnstile with one leg for more suitable prices with narrow area that two turnstiles do not fit it. Makim can make production in AISI 316 as well. The inner main mechanism of T 450 is produced with special investment casting technology, which makes the whole system a lot more robust and lasting. The electronic boards are designed by the qualified engineers of Makim, enabling T 450 work in various modes and integrations.

**General Use:** T 450 electromechanic turnstile operates bidirectionally. Any kind of access control system like card reader, biometric reader, remote control unit or push button can be integrated to T 450 via simple dry-contact. Once the access right is granted, user should touch slightly to T 450 arm in order to make it rotate. After the tripods complete one turn, T 450 is automatically locked. If the user does not use the passage right in 15 seconds, T 450 will give buzzer warning and it will be locked. Status indicator LED lights are located on both sides of T 450, in green arrow and red cross shape to show allowed passage directions. Passage rate is upto 30 person/minute.

**Safety:** In case of power cut, T 450 is unlocked to allow free rotation of the arms in both sides. As an optional, Makim can produce T 450 with drop-arm mechanism. In this case, once T450 receives a signal from the emergency system, the blocking arm will drop to provide a completely free passage lane for quick evacuation of the area.



[makim.com.tr](http://makim.com.tr)  
[makimaccesscontrol.com](http://makimaccesscontrol.com)  
[makimturnstile.com](http://makimturnstile.com)

### Factory

Address: Sincan Organize Sanayi Bölgesi, Erkunt Cad. No: 20  
Sincan ANKARA  
Tel: +90 (312) 267 56 87 Faks: 0 (312) 267 56 99  
[satis@makim.com.tr](mailto:satis@makim.com.tr)

### Branch

Address: Perpa Ticaret Merkezi, B Blok Kat: 7-8 No: 987-989  
Şişli İSTANBUL  
Tel: +90 (212) 210 29 41 Faks: 0 (212) 210 68 15  
[sube@makim.com.tr](mailto:sube@makim.com.tr)